

Veloci™

HIGH SPEED COMMERCIAL COMBINATION OVEN

Toasts, Bakes & Crisps in Seconds

The Amana® Veloci™ High Speed Commercial Oven

The new Amana® Veloci™ High Speed Oven is a revolution in cooking. Utilizing an innovative combination of convection, radiant and microwave technology, this oven allows operators to toast, bake, and crisp a variety of foods in seconds instead of minutes. The compact footprint and easy installation, make this oven the perfect solution for kiosks, cafes, coffee shops, delis and concession areas.

Key Features

- ◆ Combination of radiant, convection and microwave to quickly toast and heat a variety of products.
- ◆ 100 programmable menu items simplifies cooking and provides flexibility for menu changes.
- ◆ Catalytic converter filters odors from air to prevent flavor transfer while cooking.
- ◆ Easy installation. No vent hood required.
- ◆ Automatic voltage sensor automatically adjusts for 208 V or 230 V installation.
- ◆ Exterior designed to remain cool-to-the touch for worry-free operation.
- ◆ Stainless steel exterior is durable for years of commercial foodservice use.
- ◆ Global ComServ service network provides on going product support.
- ◆ Limited 3-year warranty.



Put Time on Your Side

The Amana® Veloci™ offers incredible value by combining quality, speed, flexibility and throughput. This time-saving oven allows operators to produce high quality menu items on a consistent basis in a fraction of the time and space required for traditional heating and toasting methods.

<u>Item</u>	<u>Estimated Cook Time</u>
6" Toasted Sub	35 seconds
Toasted Bagel	45 seconds
4-6 oz. Frozen Breaded Appetizers	60 seconds
6" Parbaked Pizza	70 seconds

A perfect choice for a variety of venues:

Kiosks - With a compact footprint, this versatile oven easily fits where other ovens won't.

Bars & Grills - Put yourself in the food business fast by serving sandwiches, personal pizzas and appetizers in minutes.

Coffee Shops - Serve up more than coffee by offering gourmet pizzas, specialty sandwiches, pastries, cookies and more.

For more information about any of our fine commercial microwave ovens, contact your Amana distributor, call us direct at **888.262.6271** or visit our web site: www.amanacommercial.com.

Form #ACRR0406
©2004 Amana Commercial Products
Printed in the USA.



Amana®

HIGH PERFORMANCE HAS A NAME™
www.amanacommercial.com

HIGH SPEED COMMERCIAL COMBINATION OVEN

SPECIFICATIONS

MODEL	AMH20
UPC Code	719881145679
Configuration	Countertop
Control System	Touch
Programmable Control Pads	10
Total Programmable Settings	100
Cooking Timer	20:00, Countdown
Power Levels	11
Defrost	Yes
Time Entry Option	Yes
Microwave Distribution System	Rotating Antennae
Magnetron(s)	2
Display	VFD
Stackable	No
Stage Cooking	4 stages
Interior Light	No
Door Opening System	Pull Handle
Automatic Voltage Sensor	Yes
Temperature Display	Yes
Oven Temperature	475°F (246°C)
Warranty	Limited 3-Year**

Cabinet	Exterior Dimensions	Usable Interior Dimensions
Height	18-1/4" (464 mm)	8" (203 mm)
Width	21-1/4" (540 mm)	13" (330 mm)
Depth (overall with handle)	31-1/2" (800 mm)	15" (381 mm)
Depth (door open 90°)	45-1/4" (1150 mm)	
Usable Cavity Space	0.9 cubic ft. (25.5 L)	
Outercase Material	Stainless Steel	
Cavity Interior Finish	Stainless Steel	

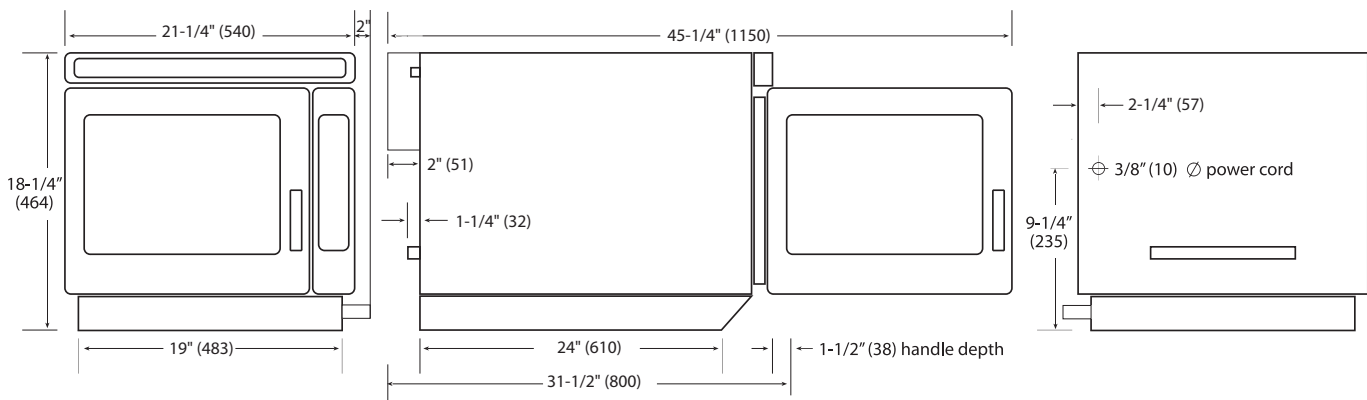
Electrical Characteristics

Power Consumption	5000 W, 30 A
Power Output	2100 W (Convection) 1800 W (Infrared Radiant) 2000 W* (Microwave)
Power Source	208-230 V, 60 Hz, 30 A single phase
Plug Configuration	NEMA 6-30
Frequency	2450 MHz
Power Cord Length	5' (1.5 m)

Weight/Shipping Information

Net Weight	165 lbs. (75 kg)
Approximate Shipping	175 lbs. (79 kg)
Shipping Box Size	34-3/4" L x 25-3/4" W x 26-1/4" H (883 mm x 654 mm x 667 mm)

Amana's continuing commitment to quality products may mean a change in specification without notice. *Microwave output ratings based on IEC 705 test. **Limited 3-year warranty: Full one year parts, labor and travel. Second and third year, Amana will provide a replacement magnetron tube only. See warranty certificate for details.



KNLZ Approval. Commercial microwave/convection oven with integral systems for limiting the emissions of grease laden air.

For more information about any of our fine commercial microwave ovens, contact your Amana distributor, call us direct at **888.262.6271** or visit our web site: www.amanacommercial.com.

